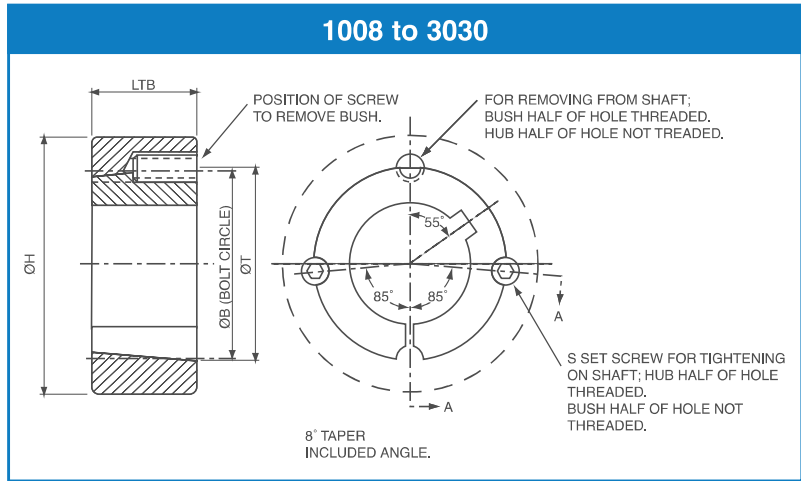


# Taper Bushes

## Range and Material Specifications:

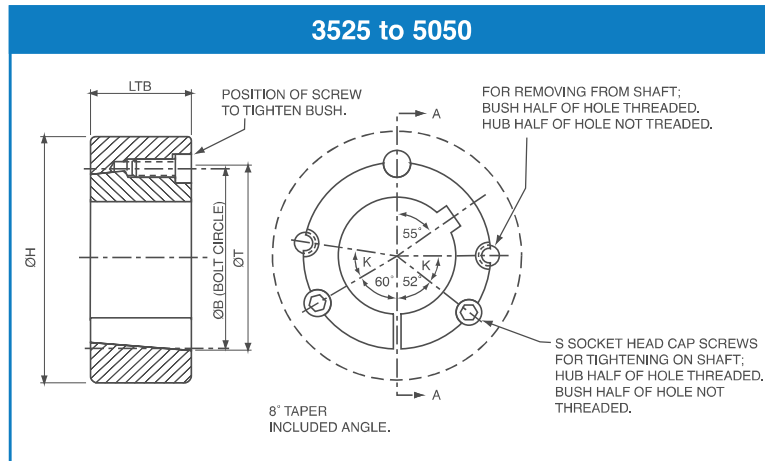
The taper Bushes are manufactured to the highest quality standards using GG22 - 25 cast iron depending on size. Thin wall bushes are produced from C45 steel. All surfaces are carefully machined to provide maximum contact area and transmission of torque.



## Taper Bush 1008 to 3030

BUSH Size.	Ø T	LTB	Minimum HUB Dia H			Ø B	S Set Screws	
			UTS 200 N/mm <sup>2</sup> Gray Iron	UTS 250 N/mm <sup>2</sup> Gray Iron	UTS 420 N/mm <sup>2</sup> Steel		QTY. Screws	Size (Inches)
1008	35.20	22.3	59	54	51	33.73	2	1/4 x 1/2
1108	38.38	22.3	61	57	54	36.92	2	1/4 x 1/2
1210	47.62	25.4	99	86	78	44.44	2	3/8 x 5/8
1215	47.62	38.1	79	73	68	44.44	2	3/8 x 5/8
1310	50.80	25.4	100	88	80	47.63	2	3/8 x 5/8
1610	57.15	25.4	102	92	85	53.97	2	3/8 x 5/8
1615	57.15	38.1	86	81	77	53.97	2	3/8 x 5/8
2012	69.85	31.8	115	106	99	66.68	2	7/16 x 7/8
2517	85.73	44.5	125	119	113	82.55	2	1/2 x 1
2525	85.73	63.5	115	111	108	82.56	2	1/2 x 1
3020	107.96	50.8	154	146	140	101.60	2	5/8 x 1.1/4
3030	107.96	76.2	141	136	132	101.60	2	5/8 x 1.1/4

Severe operating conditions may require the use of a larger diameter hub.



## Taper Bush 3525 to 5050

BUSH Size.	Ø T	LTB	Minimum HUB Dia H			Ø B	S Cap Screws		K
			UTS 200 N/mm <sup>2</sup> Gray Iron	UTS 250 N/mm <sup>2</sup> Gray Iron	UTS 420 N/mm <sup>2</sup> Steel		QTY. Cap Screws	Size (Inches)	
3525	127.00	63.5	206	191	178	122.68	3	1/2 x 1.1/2	40°
3535	127.00	89.0	185	176	168	122.68	3	1/2 x 1.1/2	40°
4030	146.05	76.2	220	207	197	140.72	3	5/8 x 1.3/4	40°
4040	146.05	101.5	203	195	188	140.72	3	5/8 x 1.1/4	40°
4535	161.93	89.0	221	212	205	455.70	3	3/4 x 2	40°
4545	161.93	114.3	211	205	200	155.70	3	3/4 x 2	40°
5040	177.80	101.6	236	229	223	170.69	3	7/8 x 2.1/4	37°
5050	177.80	127.0	230	223	219	170.69	3	7/8 x 2.1/4	37°

# Taper Bushes

## To Install

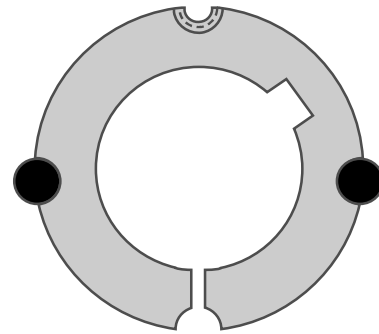
1. Clean shaft, bore and outside of bush, and bore of hub. Remove any oil, laquer or dirt. Place bush in hub and match half holes to make complete holes (each complete hole will be threaded on one side only).
2. Lightly oil thread and point of set screws, or thread and under head of cap screws. Place screws loosely in holes that are threaded on hub side.
3. Make sure bush is free in hub. Slip assembly onto shaft and locate in the desired position.
4. Tighten screws alternately and evenly until all are pulled up tightly (See table for torque settings).
5. Hammer against large end of bush using hammer and block or sleeve to avoid damage. Screws can now be turned a little more to the specified torque setting. Repeat this alternate hammering and screw re-tightening until the specified torque is reached. Fill all holes with grease to exclude dirt.



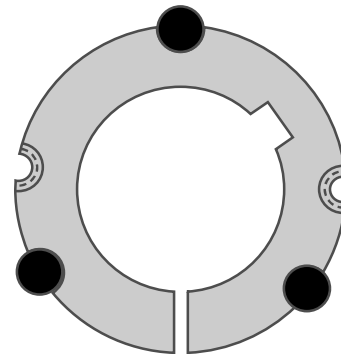
## To Remove

1. Remove all screws (●). Lightly oil thread and point of set screws, or thread and under head of cap screws.
2. Insert screws into removal holes that are threaded on the bush side(☺). In sizes where washers are found under screw heads, be sure to use these washers.
3. Tighten screws alternately until bush is loosened in hub and then remove the complete assembly. If bush does not loosen immediately, tap on hub.

### 1008 to 3030



### 3525 to 5050



## Recommended Wrench Torque

Bush Size.	Screws	Tightening Torque (Nm)	Bush Size.	Screws	Tightening Torque (Nm)	Bush Size.	Screws	Tightening Torque (Nm)
1008	1/4" Set Screws	6	2012	7/16" Set Screws	30	4030	5/8" Cap Screws	170
1108	1/4" Set Screws	6	2517	1/2" Set Screws	50	4040	5/8" Cap Screws	170
1210	3/8" Set Screws	20	2525	1/2" Set Screws	50	4535	3/4" Cap Screws	190
1215	3/8" Set Screws	20	3020	5/8" Set Screws	90	4545	3/4" Cap Screws	190
1310	3/8" Set Screws	20	3030	5/8" Set Screws	90	5040	7/8" Cap Screws	270
1610	3/8" Set Screws	20	3525	1/2" Cap Screws	113	5050	7/8" Cap Screws	270
1615	3/8" Set Screws	20	3535	1/2" Cap Screws	113			



Quality Guaranteed

# Taper Bushes - Metric



Quality Guaranteed

## 1008

BORE	WT. (kg)	KEYSEAT	
		BUSH	SHAFT
9	0.13	3 x 1.4	3 x 1.8
10	0.14	3 x 1.4	3 x 1.8
11	0.14	4 x 1.8	4 x 2.5
12	0.13	4 x 1.8	4 x 2.6
14	0.13	5 x 2.3	5 x 3.0
16	0.12	5 x 2.3	5 x 3.0
18	0.11	6 x 2.8	6 x 3.5
19	0.10	6 x 2.8	6 x 3.5
20	0.10	6 x 2.8	6 x 3.5
22	0.09	6 x 2.8	6 x 3.5
<b>24*</b>	0.09	8 x 1.3*	8 x 4.0
<b>25*</b>	0.08	8 x 1.3*	8 x 4.0

## 1108

BORE	WT. (kg)	KEYSEAT	
		BUSH	SHAFT
9	0.16	3 x 1.4	3 x 1.8
10	0.15	3 x 1.4	3 x 1.8
11	0.10	4 x 1.8	4 x 2.5
12	0.16	4 x 1.8	4 x 2.5
14	0.16	5 x 2.3	5 x 3.0
16	0.14	5 x 2.3	5 x 3.0
18	0.14	6 x 2.8	6 x 3.5
19	0.13	5 x 2.8	6 x 3.5
20	0.13	6 x 2.8	6 x 3.5
22	0.12	6 x 2.8	6 x 3.5
24	0.11	8 x 3.3	8 x 4.0
25	0.10	8 x 3.3	8 x 4.0
<b>28*</b>	0.09	8 x 1.3*	8 x 4.0

## 1210

BORE	WT. (kg)	KEYSEAT	
		BUSH	SHAFT
11	0.20	4 x 1.8	4 x 2.5
12	0.28	4 x 1.8	4 x 2.5
14	0.28	5 x 2.3	5 x 3.0
16	0.27	5 x 2.3	5 x 3.0
18	0.26	6 x 2.8	6 x 3.5
19	0.25	6 x 2.8	6 x 3.5
20	0.25	6 x 2.8	6 x 3.5
22	0.23	6 x 2.8	6 x 3.5
24	0.22	8 x 3.3	8 x 4.0
25	0.21	8 x 3.3	8 x 4.0
28	0.19	8 x 3.3	8 x 4.0
30	0.17	8 x 3.3	8 x 4.0
<b>32</b>	0.15	10 x 3.3	10 x 5.0

## 1215

BORE	WT. (kg)	KEYSEAT	
		BUSH	SHAFT
11	0.41	4 x 1.8	4 x 2.5
12	0.40	4 x 1.8	4 x 2.5
14	0.39	5 x 2.3	5 x 3.0
16	0.38	5 x 2.3	5 x 3.0
18	0.37	6 x 2.8	6 x 3.5
19	0.36	6 x 2.8	6 x 3.5
20	0.35	6 x 2.8	6 x 3.5
22	0.33	6 x 2.8	6 x 3.5
24	0.31	8 x 3.3	8 x 4.0
25	0.30	8 x 3.3	8 x 4.0
28	0.27	8 x 3.3	8 x 4.0
30	0.24	8 x 3.3	8 x 4.0
<b>32</b>	0.22	10 x 3.3	10 x 5.0

## 1310

BORE	WT. (kg)	KEYSEAT	
		BUSH	SHAFT
14	0.32	5 x 2.3	5 x 3.0
16	0.31	5 x 2.3	5 x 3.0
18	0.30	6 x 2.8	6 x 3.5
19	0.29	6 x 2.8	6 x 3.5
20	0.29	6 x 2.8	6 x 3.5
22	0.28	5 x 2.8	6 x 3.5
24	0.26	8 x 3.3	8 x 4.0
25	0.26	8 x 3.3	8 x 4.0
28	0.23	8 x 3.3	8 x 4.0
30	0.22	8 x 3.3	8 x 4.0
32	0.20	10 x 3.3	10 x 5.0
<b>35</b>	0.17	10 x 3.3	10 x 5.0

## 1610

BORE	WT. (kg)	KEYSEAT	
		BUSH	SHAFT
14	0.42	5 x 2.3	5 x 3.0
16	0.41	5 x 2.3	5 x 3.0
18	0.40	6 x 2.8	6 x 3.5
19	0.40	6 x 2.8	6 x 3.5
20	0.39	6 x 2.8	6 x 3.5
22	0.38	6 x 2.8	6 x 3.5
24	0.36	8 x 3.3	8 x 4.0
25	0.35	8 x 3.3	8 x 4.0
28	0.33	8 x 3.3	8 x 4.0
30	0.31	8 x 3.3	8 x 4.0
32	0.29	10 x 3.3	10 x 5.0
35	0.26	10 x 3.3	10 x 5.0
38	0.24	10 x 3.3	10 x 5.0
<b>40</b>	0.22	12 x 3.3	12 x 5.0
<b>42</b>	0.20	12 x 3.3	12 x 5.0

Bold italic type indicate bushes made of steel.

Keyways are in accordance with BS4235, Part 1, 1972, DIN6885 and conform to ISO recommendations with the exception of those marked\* which are shallower.

Depth of key measured at center

# Taper Bushes - Metric

## 1615

BORE	WT. (kg)	KEYSEAT	
		BUSH	SHAFT
14	0.60	5 x 2.3	5 x 3.0
16	0.58	5 x 2.3	5 x 3.0
18	0.56	6 x 2.8	6 x 3.5
19	0.56	6 x 2.8	6 x 3.5
20	0.54	6 x 2.8	6 x 3.5
22	0.52	6 x 2.8	6 x 3.5
24	0.50	8 x 3.3	6 x 4.0
25	0.49	8 x 3.3	8 x 4.0
28	0.47	8 x 3.3	8 x 4.0
30	0.44	8 x 3.3	8 x 4.0
32	0.41	10 x 3.3	10 x 5.0
35	0.38	10 x 3.3	10 x 5.0
38	0.33	10 x 3.3	10 x 5.0
<b>40</b>	0.31	12 x 3.3	12 x 5.0
<b>42*</b>	0.28	12 x 2.2*	12 x 5.0

## 2517

BORE	WT. (kg)	KEYSEAT	
		BUSH	SHAFT
16	1.75	5 x 2.3	5 x 3.0
18	1.71	6 x 2.8	6 x 3.5
19	1.66	6 x 2.8	6 x 3.5
20	1.62	6 x 2.8	6 x 3.5
22	1.58	6 x 2.8	6 x 3.5
24	1.56	8 x 3.3	8 x 4.0
25	1.56	8 x 3.3	8 x 4.0
28	1.50	8 x 3.3	8 x 4.0
30	1.49	8 x 3.3	8 x 4.0
32	1.46	10 x 3.3	10 x 5.0
35	1.42	10 x 3.3	10 x 5.0
38	1.35	10 x 3.3	10 x 5.0
40	1.31	12 x 3.3	12 x 5.0
42	1.26	12 x 3.3	12 x 5.0
45	1.20	14 x 3.8	14 x 5.5
48	1.14	14 x 3.8	14 x 5.5
50	1.10	14 x 3.8	14 x 5.5
55	0.95	16 x 4.3	16 x 6.0
60	0.82	18 x 4.4	18 x 7.0
65	0.70	18 x 4.4	18 x 7.0

## 3020

BORE	WT. (kg)	KEYSEAT	
		BUSH	SHAFT
25	2.93	8 x 3.3	8 x 4.0
28	2.88	8 x 3.3	8 x 4.0
30	2.85	8 x 3.3	8 x 4.0
32	2.84	10 x 3.3	10 x 5.0
35	2.77	10 x 3.3	10 x 5.0
38	2.71	10 x 3.3	10 x 5.0
40	2.67	12 x 3.3	12 x 5.0
42	2.60	12 x 3.3	12 x 5.0
45	2.56	14 x 3.8	14 x 5.5
48	2.47	14 x 3.8	14 x 5.5
50	2.20	14 x 3.8	14 x 5.5
55	2.15	16 x 4.3	16 x 6.0
60	2.07	18 x 4.4	18 x 7.0
65	1.93	18 x 4.4	18 x 7.0
70	1.70	20 x 4.9	20 x 7.5
75	1.50	20 x 4.9	20 x 7.5

## 2012

BORE	WT. (kg)	KEYSEAT	
		BUSH	SHAFT
14	0.79	5 x 2.3	5 x 3.0
16	0.78	5 x 2.3	5 x 3.0
18	0.77	6 x 2.8	6 x 3.5
19	0.76	6 x 2.8	6 x 3.5
20	0.76	6 x 2.8	6 x 3.5
22	0.74	6 x 2.8	6 x 3.5
24	0.73	8 x 3.3	8 x 4.0
25	0.71	8 x 3.3	8 x 4.0
28	0.68	8 x 3.3	8 x 4.0
30	0.66	8 x 3.3	8 x 4.0
32	0.64	10 x 3.3	10 x 5.0
35	0.61	10 x 3.3	10 x 5.0
38	0.57	10 x 3.3	10 x 5.0
40	0.54	12 x 3.3	12 x 5.0
42	0.51	12 x 3.3	12 x 5.0
45	0.47	14 x 3.8	14 x 5.5
48	0.42	14 x 3.8	14 x 5.5
50	0.37	14 x 3.8	14 x 5.5

## 2525

BORE	WT. (kg)	KEYSEAT	
		BUSH	SHAFT
22	2.20	6 x 2.8	6 x 3.5
24	2.17	8 x 3.3	8 x 4.0
25	2.15	8 x 3.3	8 x 4.0
28	2.09	8 x 3.3	8 x 4.0
30	2.05	8 x 3.3	8 x 4.0
32	2.01	10 x 3.3	10 x 5.0
35	1.94	10 x 3.3	10 x 5.0
38	1.86	10 x 3.3	10 x 5.0
40	1.80	12 x 3.3	12 x 5.0
42	1.74	12 x 3.3	12 x 5.0
45	1.65	14 x 3.8	14 x 5.5
48	1.55	14 x 3.8	14 x 5.5
50	1.48	14 x 3.8	14 x 5.5
55	1.29	16 x 4.3	16 x 6.0
60	1.08	18 x 4.4	18 x 7.0

## 3030

BORE	WT. (kg)	KEYSEAT	
		BUSH	SHAFT
35	3.97	10 x 3.3	10 x 5.0
38	3.89	10 x 3.3	10 x 5.0
40	3.80	12 x 3.3	12 x 5.0
40	3.65	12 x 3.3	12 x 5.0
42	3.40	14 x 3.8	14 x 5.5
45	3.35	14 x 3.8	14 x 5.5
48	3.30	14 x 3.8	14 x 5.5
50	3.25	14 x 3.8	14 x 5.5
55	3.20	16 x 4.3	16 x 6.0
60	2.95	18 x 4.4	18 x 7.0
65	2.67	18 x 4.4	18 x 7.0
70	2.45	20 x 4.9	20 x 7.5
75	2.10	20 x 4.9	20 x 7.5

Bold italic type indicate bushes made of steel.

Keyways are in accordance with BS4235, Part 1, 1972, DIN6885 and conform to ISO recommendations with the exception of those marked\* which are shallower.

Depth of key measured at center

# Taper Bushes - Metric

## 3525

BORE	WT. (kg)	KEYSEAT	
		BUSH	SHAFT
35	4.96	10 x 3.3	10 x 5.0
38	4.88	10 x 3.3	10 x 5.0
40	4.82	12 x 3.3	12 x 5.0
42	4.76	12 x 3.3	12 x 5.0
45	4.67	14 x 3.8	14 x 5.5
48	4.57	14 x 3.8	14 x 5.5
50	4.50	14 x 3.8	14 x 5.5
55	4.31	16 x 4.3	16 x 6.0
60	4.10	18 x 4.4	18 x 7.0
65	3.88	18 x 4.4	18 x 7.0
70	3.64	20 x 4.9	20 x 7.5
75	3.38	20 x 4.9	20 x 7.5
80	3.10	22 x 5.4	22 x 9.0
85	2.80	22 x 5.4	22 x 9.0
90	2.49	25 x 5.4	25 x 9.0
<b>95</b>	2.20	25 x 5.4	25 x 9.0
<b>100*</b>	2.00	28 x 5.4*	28 x 10.0

## 3535

BORE	WT. (kg)	KEYSEAT	
		BUSH	SHAFT
35	6.20	10 x 3.3	10 x 5.0
38	6.50	10 x 3.3	10 x 5.0
40	6.60	12 x 3.3	12 x 5.0
42	6.34	12 x 3.3	12 x 5.0
45	6.25	14 x 3.8	14 x 5.5
48	6.10	14 x 3.8	14 x 5.5
50	6.00	14 x 3.8	14 x 5.5
55	5.77	16 x 4.3	16 x 6.0
60	5.45	18 x 4.4	18 x 7.0
65	5.15	18 x 4.4	18 x 7.0
70	4.80	20 x 4.9	20 x 7.5
75	4.45	20 x 4.9	20 x 7.5
80	4.06	22 x 5.4	22 x 9.0
85	3.63	22 x 5.4	22 x 9.0
90	3.50	25 x 5.4	25 x 9.0

## 4030

BORE	WT. (kg)	KEYSEAT	
		BUSH	SHAFT
40	7.85	12 x 3.3	12 x 5.0
42	7.78	12 x 3.3	12 x 5.0
45	7.66	14 x 3.8	14 x 5.5
48	7.54	14 x 3.8	14 x 5.5
50	7.46	14 x 3.8	14 x 5.5
55	7.23	16 x 4.3	16 x 6.0
60	6.99	18 x 4.4	18 x 7.0
65	6.72	18 x 4.4	18 x 7.0
70	6.43	20 x 4.9	20 x 7.5
75	6.11	20 x 4.9	20 x 7.5
80	5.78	22 x 5.4	22 x 9.0
85	5.42	22 x 5.4	22 x 9.0
90	5.05	25 x 5.4	25 x 9.0
95	4.65	25 x 6.4	25 x 9.0
100	4.23	28 x 6.4	28 x 10.0
<b>105</b>	4.00	28 x 6.4	28 x 10.0
<b>110</b>	3.80	28 x 6.4	28 x 10.0
<b>115*</b>	3.60	32 x 5.4*	32 x 11.0

## 4040

BORE	WT. (kg)	KEYSEAT	
		BUSH	SHAFT
40	10.46	12 x 3.3	12 x 5.0
42	10.07	12 x 3.3	12 x 5.0
45	9.77	14 x 3.8	14 x 5.5
48	9.84	14 x 3.8	14 x 5.5
50	9.50	14 x 3.8	14 x 5.5
55	9.25	16 x 4.3	16 x 6.0
60	8.90	18 x 4.4	18 x 7.0
65	8.50	18 x 4.4	18 x 7.0
70	8.20	20 x 4.9	20 x 7.5
75	7.70	20 x 4.9	20 x 7.5
80	7.40	22 x 5.4	22 x 9.0
85	6.90	22 x 5.4	22 x 9.0
90	6.40	25 x 5.4	25 x 9.0
95	5.95	25 x 5.4	25 x 9.0
100	5.50	28 x 6.4	28 x 10.0

Bold italic type indicate bushes made of steel.

Keyways are in accordance with BS4235, Part 1, 1972, DIN6885 and conform to ISO recommendations with the exception of those marked\* which are shallower.

Depth of key measured at center



Quality Guaranteed

# Taper Bushes - Metric



Quality Guaranteed

## 4535

BORE	WT. (kg)	KEYSEAT	
		BUSH	SHAFT
55	10.69	16 x 4.3	10 x 6.0
60	10.40	18 x 4.4	18 x 7.0
65	10.08	18 x 4.4	18 x 7.0
70	9.74	20 x 4.9	20 x 7.5
75	9.38	20 x 4.9	20 x 7.5
80	8.99	22 x 5.4	22 x 9.0
85	8.57	22 x 5.4	22 x 9.0
90	8.13	25 x 5.4	25 x 9.0
95	7.67	25 x 5.4	25 x 9.0
100	7.17	28 x 6.4	28 x 10.0
105	6.66	28 x 6.4	28 x 10.0
110	6.12	28 x 6.4	28 x 10.0
<b>115</b>	6.00	32 x 7.4	32 x 11.0
<b>120</b>	5.80	32 x 7.4	32 x 11.0
<b>125</b>	5.60	32 x 7.4	32 x 11.0

## 4545

BORE	WT. (kg)	KEYSEAT	
		BUSH	SHAFT
55	13.20	16 x 4.3	16 x 6.0
60	12.90	18 x 4.4	18 x 7.0
65	12.40	18 x 4.4	18 x 7.0
70	12.00	20 x 4.9	20 x 7.5
75	11.50	20 x 4.9	20 x 7.5
80	10.90	22 x 5.4	22 x 9.0
85	10.50	22 x 5.4	22 x 9.0
90	9.90	25 x 5.4	25 x 9.0
95	9.50	25 x 5.4	25 x 9.0
100	8.90	28 x 6.4	28 x 10.0
105	8.20	28 x 6.4	28 x 10.0
110	7.40	28 x 6.4	28 x 10.0

## 5040

BORE	WT. (kg)	KEYSEAT	
		BUSH	SHAFT
70	13.93	20 x 4.9	20 x 7.5
75	13.52	20 x 4.9	20 x 7.5
80	13.07	22 x 5.4	22 x 9.0
85	12.60	22 x 5.4	22 x 9.0
90	12.09	25 x 5.4	25 x 9.0
95	11.56	25 x 5.4	25 x 9.0
100	11.00	28 x 6.4	28 x 10.0
105	10.41	28 x 6.4	28 x 10.0
110	9.80	28 x 6.4	28 x 10.0
115	9.15	32 x 7.4	32 x 11.0
120	8.48	32 x 7.4	32 x 11.0
125	7.77	32 x 7.4	32 x 11.0

## 5050

BORE	WT. (kg)	KEYSEAT	
		BUSH	SHAFT
70	17.00	20 x 4.9	20 x 7.5
75	16.30	20 x 4.9	20 x 7.5
80	15.60	22 x 5.4	22 x 9.0
85	15.00	22 x 5.4	22 x 9.0
90	14.40	25 x 5.4	25 x 9.0
95	13.60	25 x 5.4	25 x 9.0
100	12.90	28 x 6.4	28 x 10.0
105	12.30	28 x 6.4	28 x 10.0
110	11.50	28 x 6.4	28 x 10.0
115	10.60	32 x 7.4	32 x 11.0
120	9.80	32 x 7.4	32 x 11.0
125	8.90	32 x 7.4	32 x 11.0

Bold italic type indicate bushes made of steel.

Keyways are in accordance with BS4235, Part 1, 1972, DIN6885 and conform to ISO recommendations with the exception of those marked\* which are shallower.

Depth of key measured at center

# Taper Bushes - Imperial

## 1008

BORE	WT. (kg)	KEYSEAT	
		BUSH	SHAFT
3/8	0.14	0.125 x 0.060	0.125 x 0.072
1/2	0.13	0.125 x 0.060	0.125 x 0.072
5/8	0.12	0.188 x 0.088	0.188 x 0.107
3/4	0.11	0.188 x 0.088	0.188 x 0.107
7/8	0.09	0.250 x 0.115	0.250 x 0.142
<b>1*</b>	0.07	0.250 x 0.053*	0.250 x 0.142

## 1108

BORE	WT. (kg)	KEYSEAT	
		BUSH	SHAFT
3/8	0.17	0.125 x 0.060	0.125 x 0.072
1/2	0.16	0.125 x 0.060	0.125 x 0.072
5/8	0.15	0.188 x 0.088	0.188 x 0.107
3/4	0.14	0.188 x 0.088	0.188 x 0.107
7/8	0.12	0.250 x 0.115	0.250 x 0.142
1	0.10	0.250 x 0.115	0.250 x 0.142
<b>1 1/8*</b>	0.08	0.312 x 0.080*	0.312 x 0.177

## 1210

BORE	WT. (kg)	KEYSEAT	
		BUSH	SHAFT
1/2	0.20	0.125 x 0.060	0.125 x 0.072
5/8	0.28	0.188 x 0.088	0.188 x 0.107
3/4	0.26	0.188 x 0.088	0.188 x 0.107
7/8	0.24	0.250 x 0.115	0.250 x 0.142
1	0.21	0.250 x 0.115	0.250 x 0.142
1 1/8	0.10	0.312 x 0.112	0.312 x 0.177
<b>1 1/4</b>	0.15	0.312 x 0.112	0.312 x 0.177

## 1215

BORE	WT. (kg)	KEYSEAT	
		BUSH	SHAFT
5/8	0.42	0.188 x 0.088	0.188 x 0.107
3/4	0.30	0.188 x 0.088	0.188 x 0.107
7/8	0.36	0.250 x 0.115	0.250 x 0.142
1	0.32	0.250 x 0.115	0.250 x 0.142
1 1/8	0.28	0.312 x 0.112	0.312 x 0.177
<b>1 1/4</b>	0.24	0.312 x 0.112	0.312 x 0.177

## 1310

BORE	WT. (kg)	KEYSEAT	
		BUSH	SHAFT
1/2	0.35	0.125 x 0.060	0.125 x 0.072
5/8	0.34	0.188 x 0.088	0.188 x 0.107
3/4	0.32	0.188 x 0.088	0.188 x 0.107
7/8	0.30	0.250 x 0.115	0.250 x 0.142
1	0.28	0.250 x 0.115	0.250 x 0.142
1 1/8	0.25	0.312 x 0.112	0.312 x 0.177
1 1/4	0.22	0.312 x 0.112	0.312 x 0.177
<b>1 3/8</b>	0.19	0.375 x 0.11	0.375 x 0.213

## 1610

BORE	WT. (kg)	KEYSEAT	
		BUSH	SHAFT
1/2	0.46	0.125 x 0.060	0.125 x 0.072
5/8	0.44	0.188 x 0.088	0.188 x 0.107
3/4	0.42	0.188 x 0.088	0.188 x 0.107
7/8	0.40	0.250 x 0.115	0.250 x 0.142
1	0.38	0.250 x 0.115	0.250 x 0.142
1 1/8	0.35	0.312 x 0.112	0.312 x 0.177
1 1/4	0.32	0.312 x 0.112	0.312 x 0.177
1 3/8	0.29	0.375 x 0.11	0.375 x 0.213
1 1/2	0.25	0.375 x 0.11	0.375 x 0.213
<b>1 5/8</b>	0.21	0.438 x 0.134	0.438 x 0.248

## 1615

BORE	WT. (kg)	KEYSEAT	
		BUSH	SHAFT
1/2	0.66	0.125 x 0.060	0.125 x 0.072
5/8	0.64	0.188 x 0.088	0.188 x 0.107
3/4	0.61	0.188 x 0.088	0.188 x 0.107
7/8	0.58	0.250 x 0.115	0.250 x 0.142
1	0.55	0.250 x 0.115	0.250 x 0.142
1 1/8	0.51	0.312 x 0.112	0.312 x 0.177
1 1/4	0.46	0.312 x 0.112	0.312 x 0.177
1 3/8	0.41	0.375 x 0.11	0.375 x 0.213
1 1/2	0.36	0.375 x 0.11	0.375 x 0.213
<b>1 5/8*</b>	0.30	0.438 x 0.103*	0.438 x 0.248

***Bold italic*** type indicate bushes made of steel.

Keyways are parallel and in accordance with BS46:Part 1:1958, with the exception of those marked\* which are shallower.

Depth of key measured at centre



# Taper Bushes - Imperial

## 2012

BORE	WT. (kg)	KEYSEAT	
		BUSH	SHAFT
5/8	0.85	0.188 x 0.088	0.188 x 0.107
3/4	0.83	0.188 x 0.088	0.188 x 0.107
7/8	0.80	0.250 x 0.115	0.250 x 0.142
1	0.77	0.250 x 0.115	0.250 x 0.142
1 1/8	0.74	0.312 x 0.112	0.312 x 0.177
1 1/4	0.70	0.312 x 0.112	0.312 x 0.177
1 3/8	0.66	0.375 x 0.11	0.375 x 0.213
1 1/2	0.61	0.375 x 0.11	0.375 x 0.213
1 5/8	0.56	0.438 x 0.134	0.438 x 0.248
1 3/4	0.51	0.438 x 0.134	0.438 x 0.248
1 7/8	0.45	0.500 x 0.131	0.500 x 0.283
2	0.39	0.500 x 0.131	0.500 x 0.283

## 2517

BORE	WT. (kg)	KEYSEAT	
		BUSH	SHAFT
3/4	1.77	0.188 x 0.088	0.188 x 0.107
7/8	1.74	0.250 x 0.115	0.250 x 0.142
1	1.70	0.250 x 0.115	0.250 x 0.142
1 1/8	1.65	0.312 x 0.112	0.312 x 0.177
1 1/4	1.60	0.312 x 0.112	0.312 x 0.177
1 3/8	1.54	0.375 x 0.110	0.375 x 0.213
1 1/2	1.48	0.375 x 0.110	0.375 x 0.213
1 5/8	1.41	0.438 x 0.134	0.438 x 0.248
1 3/4	1.33	0.438 x 0.134	0.438 X 0.248
1 7/8	1.25	0.500 x 0.131	0.500 X 0.263
2	1.17	0.500 x 0.131	0.500 X 0.283
2 1/8	1.07	0.625 x 0.185	0.626 x 0.354
2 1/4	0.98	0.625 x 0.185	0.625 x 0.354
2 3/8	0.88	0.625 x 0.185	0.025 x 0.354
2 1/2	0.77	0.625 x 0.185	0.625 x 0.354

## 2525

BORE	WT. (kg)	KEYSEAT	
		BUSH	SHAFT
7/8	2.38	0.250 x 0.115	0.250 x 0.142
1	2.31	0.250 x 0.115	0.250 x 0.142
1 1/8	2.24	0.312 x 0.112	0.312 x 0.177
1 1/4	2.19	0.312 x 0.112	0.312 x 0.177
1 3/8	1.99	0.375 x 0.110	0.375 x 0.213
1 1/2	1.97	0.375 x 0.110	0.375 x 0.213
1 5/8	1.94	0.438 x 0.134	0.438 x 0.248
1 3/4	1.62	0.438 x 0.134	0.438 x 0.248
1 7/8	1.72	0.500 x 0.131	0.500 x 0.283
2	1.58	0.500 x 0.131	0.500 x 0.283
2 1/8	1.45	0.625 x 0.185	0.625 x 0.364
2 1/4	1.31	0.625 x 0.185	0.625 x 0.354
2 3/8	1.18	0.625 x 0.185	0.625 x 0.354
2 1/2	1.01	0.625 x 0.153*	0.625 x 0.354

## 3020

BORE	WT. (kg)	KEYSEAT	
		BUSH	SHAFT
1 1/4	3.07	0.312 x 0.112	0.212 x 0.177
1 3/8	3.00	0.375 x 0.110	0.375 x 0.213
1 1/2	2.93	0.375 x 0.110	0.375 x 0.213
1 5/8	2.85	0.438 x 0.134	0.438 x 0.248
1 3/4	2.76	0.438 x 0.134	0.438 x 0.248
1 7/8	2.67	0.500 x 0.131	0.500 x 0.283
2	2.57	0.500 x 0.131	0.500 x 0.283
2 1/8	2.47	0.625 x 0.185	0.625 x 0.354
2 1/4	2.36	0.625 x 0.185	0.025 x 0.354
2 3/8	2.24	0.625 x 0.185	0.625 x 0.354
2 1/2	2.12	0.625 x 0.185	0.025 x 0.354
2 5/8	1.99	0.750 x 0.209	0.750 x 0.424
2 3/4	1.85	0.750 x 0.209	0.750 x 0.424
2 7/8	1.78	0.750 x 0.209	0.750 x 0.424
3	1.56	0.750 x 0.209	0.750 x 0.424

## 3030

BORE	WT. (kg)	KEYSEAT	
		BUSH	SHAFT
1 1/4	4.44	0.312 x 0.112	0.312 x 0.177
1 3/8	4.34	0.375 x 0.110	0.375 x 0.213
1 1/2	4.23	0.375 x 0.110	0.375 x 0.213
1 5/8	4.12	0.438 x 0.134	0.438 x 0.248
1 3/4	3.99	0.438 x 0.134	0.438 x 0.248
1 7/8	3.85	0.500 x 0.131	0.500 x 0.283
2	3.70	0.500 x 0.131	0.500 x 0.283
2 1/8	3.55	0.625 x 0.185	0.625 x 0.354
2 1/4	3.38	0.625 x 0.185	0.625 x 0.354
2 3/8	3.21	0.625 x 0.185	0.625 x 0.354
2 1/2	3.02	0.625 x 0.185	0.625 x 0.354
2 5/8	2.63	0.750 x 0.209	0.750 x 0.424
2 3/4	2.62	0.750 x 0.209	0.750 x 0.424
2 7/8	2.41	0.750 x 0.209	0.750 x 0.424
3	2.19	0.750 x 0.209	0.750 x 0.424

***Bold italic*** type indicate bushes made of steel.

Keyways are parallel and in accordance with BS46:Part 1:1958, with the exception of those marked\* which are shallower.

Depth of key measured at centre



# Taper Bushes - Imperial

## 3525

BORE	WT. (kg)	KEYSEAT	
		BUSH	SHAFT
1 1/2	5.28	0.375 x 0.110	0.375 x 0.213
1 5/8	5.18	0.438 x 0.134	0.438 x 0.248
1 3/4	5.08	0.438 x 0.134	0.438 x 0.248
1 7/8	4.96	0.500 x 0.131	0.500 x 0.283
2	4.84	0.500 x 0.131	0.500 x 0.283
2 1/8	4.71	0.625 x 0.185	0.625 x 0.354
2 1/4	4.57	0.625 x 0.185	0.625 x 0.354
2 3/8	4.42	0.625 x 0.185	0.625 x 0.354
2 1/2	4.27	0.625 x 0.185	0.625 x 0.354
2 5/8	4.11	0.750 x 0.209	0.750 x 0.424
2 3/4	3.94	0.750 x 0.209	0.750 x 0.424
2 7/8	3.76	0.750 x 0.209	0.750 x 0.424
3	3.58	0.750 x 0.209	0.750 x 0.424
3 1/8	3.38	0.875 x 0.264	0.875 x 0.495
3 1/4	3.18	0.875 x 0.264	0.875 x 0.495
3 3/8	2.07	0.875 x 0.264	0.875 x 0.495
3 1/2	2.80	0.875 x 0.264	0.875 x 0.495
<b>3 3/4*</b>	2.50	0.999 x 0.245*	1.000 x 0.566
<b>4*</b>	2.20	0.999 x 0.155*	1.000 x 0.566

## 3535

BORE	WT. (kg)	KEYSEAT	
		BUSH	SHAFT
1 1/2	7.16	0.375 x 0.110	0.375 x 0.213
1 5/8	7.02	0.438 x 0.134	0.438 x 0.248
1 3/4	0.88	0.438 x 0.134	0.438 x 0.248
1 7/8	6.73	0.500 x 0.131	0.500 x 0.283
2	6.55	0.500 x 0.131	0.500 x 0.283
2 1/8	6.36	0.625 x 0.185	0.625 x 0.354
2 1/4	6.16	0.625 x 0.185	0.625 x 0.354
2 3/8	5.96	0.625 x 0.185	0.625 x 0.354
2 1/2	5.75	0.625 x 0.185	0.625 x 0.354
2 5/8	5.51	0.750 x 0.209	0.750 x 0.424
2 3/4	5.28	0.750 x 0.209	0.750 x 0.424
2 7/8	5.02	0.750 x 0.209	0.750 x 0.424
3	4.77	0.750 x 0.209	0.750 x 0.424
3 1/8	4.50	0.875 x 0.264	0.875 x 0.495
3 1/4	4.21	0.875 x 0.264	0.875 x 0.495
3 3/8	3.92	0.875 x 0.264	0.875 x 0.495
3 1/2	3.62	0.875 x 0.264	0.875 x 0.495

## 4030

BORE	WT. (kg)	KEYSEAT	
		BUSH	SHAFT
1 3/4	8.33	0.438 x 0.134	0.438 x 0.248
2	8.04	0.500 x 0.131	0.500 x 0.283
2 1/8	7.88	0.625 x 0.185	0.625 x 0.354
2 1/4	7.71	0.625 x 0.185	0.625 x 0.354
2 3/8	7.54	0.625 x 0.185	0.625 x 0.354
2 1/2	7.36	0.625 x 0.185	0.625 x 0.354
2 5/8	7.16	0.750 x 0.209	0.750 x 0.424
2 3/4	6.96	0.750 x 0.209	0.750 x 0.424
2 7/8	6.75	0.750 x 0.209	0.750 x 0.424
3	6.53	0.750 x 0.209	0.750 x 0.424
3 1/8	6.28	0.875 x 0.264	0.875 x 0.495
3 1/4	6.05	0.875 x 0.264	0.875 x 0.495
3 3/8	5.80	0.875 x 0.264	0.875 x 0.495
3 1/2	5.54	0.875 x 0.264	0.875 x 0.495
3 3/4	4.98	1.000 x 0.318	1.000 x 0.566
4	4.40	1.000 x 0.318	1.000 x 0.566
<b>4 1/4</b>	4.00	1.250 x 0.366	1.250 x 0.707
<b>4 1/2*</b>	3.70	1.250 x 0.255*	1.250 x 0.707

## 4040

BORE	WT. (kg)	KEYSEAT	
		BUSH	SHAFT
1 3/4	10.92	0.438 x 0.134	0.438 x 0.248
1 7/8	10.61	0.500 x 0.131	0.500 x 0.283
2	10.42	0.500 x 0.131	0.500 x 0.238
2 1/8	10.21	0.625 x 0.185	0.625 x 0.254
2 1/4	9.99	0.625 x 0.185	0.625 x 0.354
2 3/8	9.71	0.625 x 0.185	0.625 x 0.354
2 1/2	9.51	0.625 x 0.185	0.625 x 0.354
2 5/8	9.15	0.750 x 0.209	0.750 x 0.424
2 3/4	8.97	0.750 x 0.209	0.750 x 0.424
2 7/8	8.09	0.750 x 0.209	0.750 x 0.424
3	8.40	0.750 x 0.209	0.750 x 0.424
3 1/8	8.09	0.875 x 0.264	0.875 x 0.495
3 1/4	7.76	0.875 x 0.264	0.875 x 0.495
3 3/8	7.43	0.875 x 0.264	0.875 x 0.495
3 1/2	7.08	0.875 x 0.264	0.875 x 0.495
3 3/4	6.35	1.000 x 0.318	1.000 x 0.566
4	5.56	1.000 x 0.318	1.000 x 0.566

***Bold italic*** type indicate bushes made of steel.

Keyways are parallel and in accordance with BS46:Part 1:1958, with the exception of those marked\* which are shallower.

Depth of key measured at centre



Quality Guaranteed

# Taper Bushes - Imperial



Quality Guaranteed

## 4535

BORE	WT. (kg)	KEYSEAT	
		BUSH	SHAFT
2 1/4	8.65	0.625 x 0.185	0.625 x 0.354
2 3/8	14.06	0.625 x 0.185	0.625 x 0.354
2 1/2	9.99	0.625 x 0.185	0.625 x 0.354
2 3/4	9.53	0.750 x 0.209	0.750 x 0.424
2 7/8	12.87	0.750 x 0.209	0.750 x 0.424
3	9.02	0.750 x 0.209	0.750 x 0.424
3 1/8	8.75	0.875 x 0.264	0.875 x 0.495
3 1/4	8.46	0.875 x 0.264	0.875 x 0.495
3 3/8	8.17	0.875 x 0.264	0.875 x 0.495
3 1/2	7.87	0.875 x 0.264	0.875 x 0.495
3 3/4	7.22	1.000 x 0.318	1.000 x 0.566
4	6.54	1.000 x 0.318	1.000 x 0.566
4 1/4	5.81	1.250 x 0.366	1.250 x 0.707
4 1/2	5.03	1.250 x 0.366	1.250 x 0.707
4 3/4	4.90	1.250 x 0.366	1.250 x 0.707

## 4545

BORE	WT. (kg)	KEYSEAT	
		BUSH	SHAFT
2 1/4	14.30	0.625 x 0.185	0.625 x 0.354
2 3/8	14.06	0.625 x 0.185	0.625 x 0.354
2 1/2	13.80	0.625 x 0.185	0.625 x 0.354
2 3/4	13.20	0.750 x 0.209	0.750 x 0.424
2 7/8	12.87	0.750 x 0.209	0.750 x 0.424
3	12.54	0.750 x 0.209	0.750 x 0.424
3 1/8	8.75	0.875 x 0.264	0.875 x 0.495
3 1/4	11.83	0.875 x 0.264	0.875 x 0.495
3 3/8	11.46	0.875 x 0.264	0.875 x 0.495
3 1/2	11.07	0.875 x 0.264	0.875 x 0.495
3 3/4	10.25	1.000 x 0.318	1.000 x 0.566
4	9.37	1.000 x 0.318	1.000 x 0.566
4 1/4	8.43	1.250 x 0.366	1.250 x 0.707
4 1/2	7.43	1.250 x 0.366	1.250 x 0.707

## 5040

BORE	WT. (kg)	KEYSEAT	
		BUSH	SHAFT
2 3/4	15.12	0.750 x 0.209	0.750 x 0.424
2 7/8	12.50	0.750 x 0.209	0.750 x 0.424
3	14.54	0.750 x 0.209	0.750 x 0.424
3 1/8	14.10	0.875 x 0.264	0.875 x 0.495
3 1/4	13.90	0.875 x 0.264	0.875 x 0.495
3 3/8	13.57	0.875 x 0.264	0.875 x 0.495
3 1/2	13.22	0.875 x 0.264	0.875 x 0.495
3 3/4	12.49	1.000 x 0.318	1.000 x 0.566
4	11.70	1.000 x 0.318	1.000 x 0.566
4 1/4	10.87	1.250 x 0.366	1.250 x 0.707
4 1/2	10.40	1.250 x 0.366	1.250 x 0.707
4 3/4	10.00	1.250 x 0.366	1.250 x 0.707
5	9.90	1.250 x 0.366	1.250 x 0.707

## 5050

BORE	WT. (kg)	KEYSEAT	
		BUSH	SHAFT
2 3/4	15.12	0.750 x 0.209	0.750 x 0.424
2 7/8	12.50	0.750 x 0.209	0.750 x 0.424
3	17.80	0.750 x 0.209	0.750 x 0.424
3 1/8	14.10	0.875 x 0.264	0.875 x 0.495
3 1/4	16.93	0.875 x 0.264	0.875 x 0.495
3 1/2	15.99	0.875 x 0.264	0.875 x 0.495
3 3/4	15.16	1.000 x 0.318	1.000 x 0.566
4	14.18	1.000 x 0.318	1.000 x 0.566
4 1/4	13.13	1.250 x 0.366	1.250 x 0.707
4 1/2	12.03	1.250 x 0.366	1.250 x 0.707
4 3/4	10.86	1.250 x 0.366	1.250 x 0.707
5	9.03	1.250 x 0.366	1.250 x 0.707

***Bold italic*** type indicate bushes made of steel.

Keyways are parallel and in accordance with BS46:Part 1:1958, with the exception of those marked\* which are shallower.

Depth of key measured at centre



Quality Guaranteed

# OTHER QUALITY PRODUCTS



Quality Guaranteed

## Hitachi SBR-Prime Roller Chain



AS & BS Roller Chain - Leaf Chain - Crank Link Chain

## Hitachi CR Roller Chain



AS & BS Roller Chain - Conveyor Chain - Chain Attachments

## GB Sprockets



Quality Guaranteed



Pilot Bore - Taper Fit - Weld Fit

## GB Taper Fit



Quality Guaranteed



Imperial & Metric Bushes - Weld on Hubs

## Pulleys



Quality Guaranteed



Cast Iron Taper Fit - Cast Iron Pilot Bore

## Chain and Belt Tensioner



Quality Guaranteed



Classical Belts - Wedge Belts

## GB Couplings



Quality Guaranteed



HRC, Jaw & Chain - Tyre ,Cone Ring & Rigid - Standard Spacers

YOUR LOCAL DISTRIBUTOR

## GB Conveyor Chain



Quality Guaranteed



2 to 12" Pitch Conveyor Chain