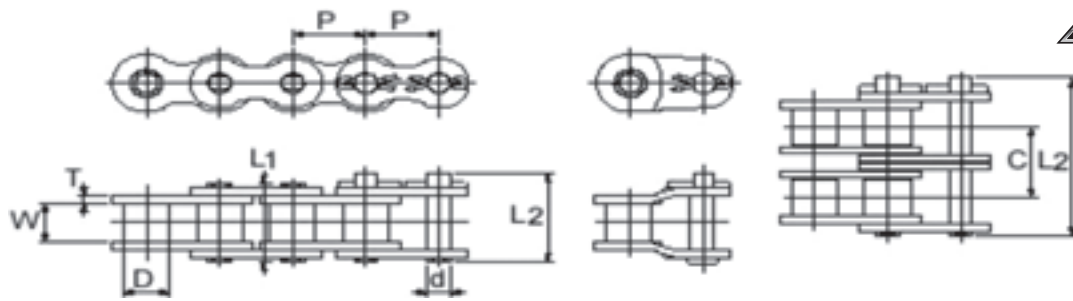


KANA



Roller Chain





American Standard Roller Chain

ANSI Chain Number	Chain Pitch P	Inner Width W	Roller Dia. D	d	L1	L2	Link Plate Thickness T	C	Approx Weight (per/mt)	Average Tensile Strength kN
AG-40-1	12.7	7.85	7.92	3.96	16.6	17.75	1.5	...	0.62	17
AG-50-1	15.875	9.4	10.16	5.08	20.9	22.2	2.06	...	1.02	26.4
AG-60-1	19.05	12.57	11.91	5.94	25.9	27.5	2.44	...	1.5	38.8
AG-80-1	25.4	15.75	15.88	7.92	32.8	34.9	3.26	...	2.6	64.9

All dimensions are in (mm) millimeters.

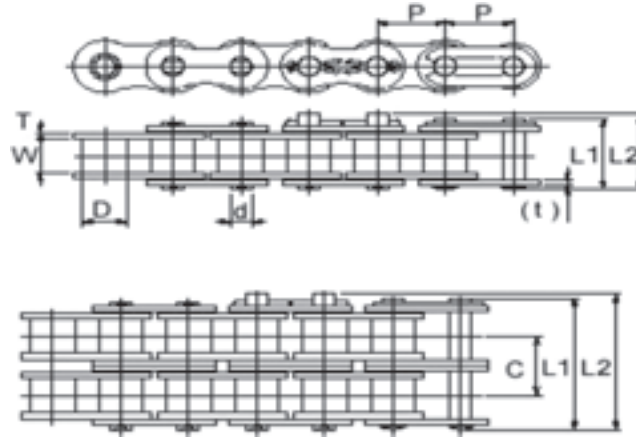
Ag-Guard chain is manufactured to Kana’s premium quality standards and coated with a custom Nickel plating for optimum protection against the elements in Agricultural Applications. When in operation or in down time the Kana Ag-Guard chain is constantly protected by a barrier against corrosive attack, seizure and premature wear. Premium quality materials and heat treatment processes improve fatigue strength and ensure the best possible service life in rugged outdoor operation.

American Standard Heavy Duty Roller Chain

ANSI Chain Number	Chain Pitch P	Inner Width W	Roller Dia. D	d	L1	L2	Link Plate Thickness T	C	Approx Weight (per/mt)	Average Tensile Strength kN
AG-50H	15.875	9.4	10.16	5.08	22.1	23.4	2.42	...	1.25	30.2
AG-60H	19.05	12.57	11.91	5.94	29.3	31	3.25	...	1.87	42.7
AG-80H	25.4	15.75	15.88	7.92	36.2	37.7	4	...	3.1	71.4

All dimensions are in (mm) millimeters.





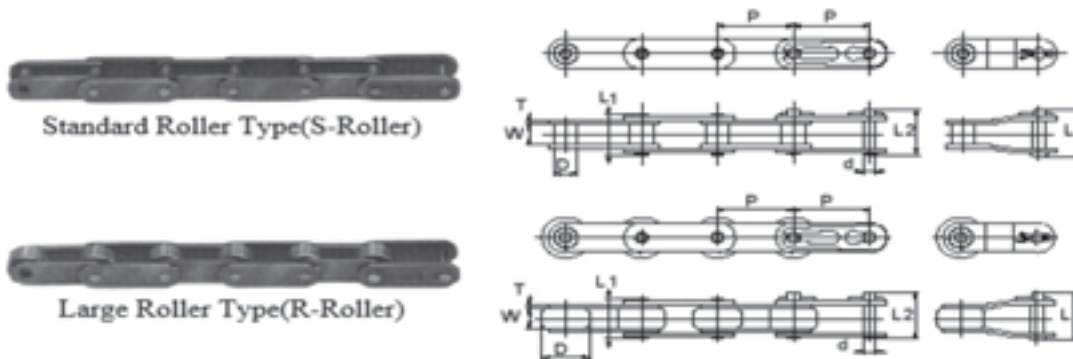
2 Conn's Per Pack

2 Conn's Per Pack

British Standard Roller Chain

ISO BS / DIN Chain No.	Chain Pitch P	Inner Width W	Roller Dia. D	d	L1	L2	Link Plate Thickness		C	Approx Weight (per/mt)	Average Tensile Strength kN
							T	t			
AG-08B-1	12.7	7.75	8.51	4.45	16.7	18	1.6	1.6	-	0.69	19.3
AG-08B-2	12.7	7.75	8.51	4.45	30.6	32.3	1.6	1.6	13.9	1.34	37.4
AG-10B-1	15.875	9.65	10.16	5.08	19	21.6	1.7	1.7	-	0.93	26.5
AG-10B-2	15.875	9.65	10.16	5.08	35.6	37.3	1.7	1.7	16.6	1.84	54.2
AG-12B-1	19.05	11.68	12.07	5.72	22	24	1.85	1.85	-	1.15	32.2
AG-12B-2	19.05	11.68	12.07	5.72	41.6	43.7	1.85	1.85	19.45	2.31	65.7
AG-16B-1	25.4	17.02	15.88	8.28	35.1	37.8	4.6	3.6	-	2.71	70.5
AG-16B-2	25.4	17.02	15.88	8.28	67.2	69.8	4.6	3.6	31.9	5.42	124.5

All dimensions are in (mm) millimeters.



American Standard Double Pitch Roller Chain

ANSI Chain Number	Chain Pitch P	Inner Width W	Roller Dia. D	d	L1	L2	Link Plate Thickness T	Approx Weight (per/mt)	Average Tensile Strength kN
AG-C2040	25.4	7.85	7.95	3.96	17.8	21.7	1.5	0.5	17.8
AG--2050	31.75	9.4	10.16	5.08	21.8	25.9	2.06	0.73	28
AG-C2060H	38.1	12.57	11.91	5.95	29.9	34.5	3.26	1.44	39
AG-C2080H	50.8	15.75	15.88	7.92	36.6	42	4	2.54	71.5
AG-C2042	25.4	7.85	15.88	3.96	17.8	21.7	1.5	0.84	17.8
AG-C2052	31.75	9.4	19.05	5.08	21.8	25.9	2.06	1.27	28
AG-C2062H	38.1	12.57	22.23	5.94	29.9	34.5	3.26	2.07	39
AG-C2082H	50.8	15.75	28.58	7.92	36.6	42	4	3.58	71.5

All dimensions are in (mm) millimeters.

OTHER QUALITY PRODUCTS

Hitachi SBR-Prime Roller Chain

- AS & BS Roller Chain
- Leaf Chain
- Crank Link Chain



Hitachi CR Roller Chain

- AS & BS Roller Chain
- Conveyor Chain
- Chain Attachments



Also available are a comprehensive range of quality industrial power transmission products sourced from leading manufacturers under the GB brand.

Quality Guaranteed

GB Sprockets

- Pilot Bore
- Taper Fit
- Weld Fit



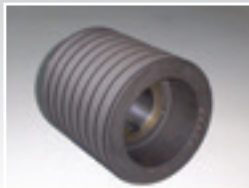
GB Taper Fit

- Imperial & Metric Bushes
- Weld on Hubs



Pulleys

- Cast Iron Taper Fit



Chain & Belt Tensioner



GB Couplings

- HRC, Jaw & Chain
- Tyre, Cone Ring & Rigid
- Standard Spacers
- GE Curved Jaw



GB Power Transmission Pty Ltd

4/68 Railway Crescent, Lisarow NSW 2250

Tel: 02 4329 5266 Fax: 02 4329 5244

Email: sales@gbtrans.com.au

www.gbtrans.com.au

GB Conveyor Chain

- 2 to 12" Pitch Conveyor Chain

